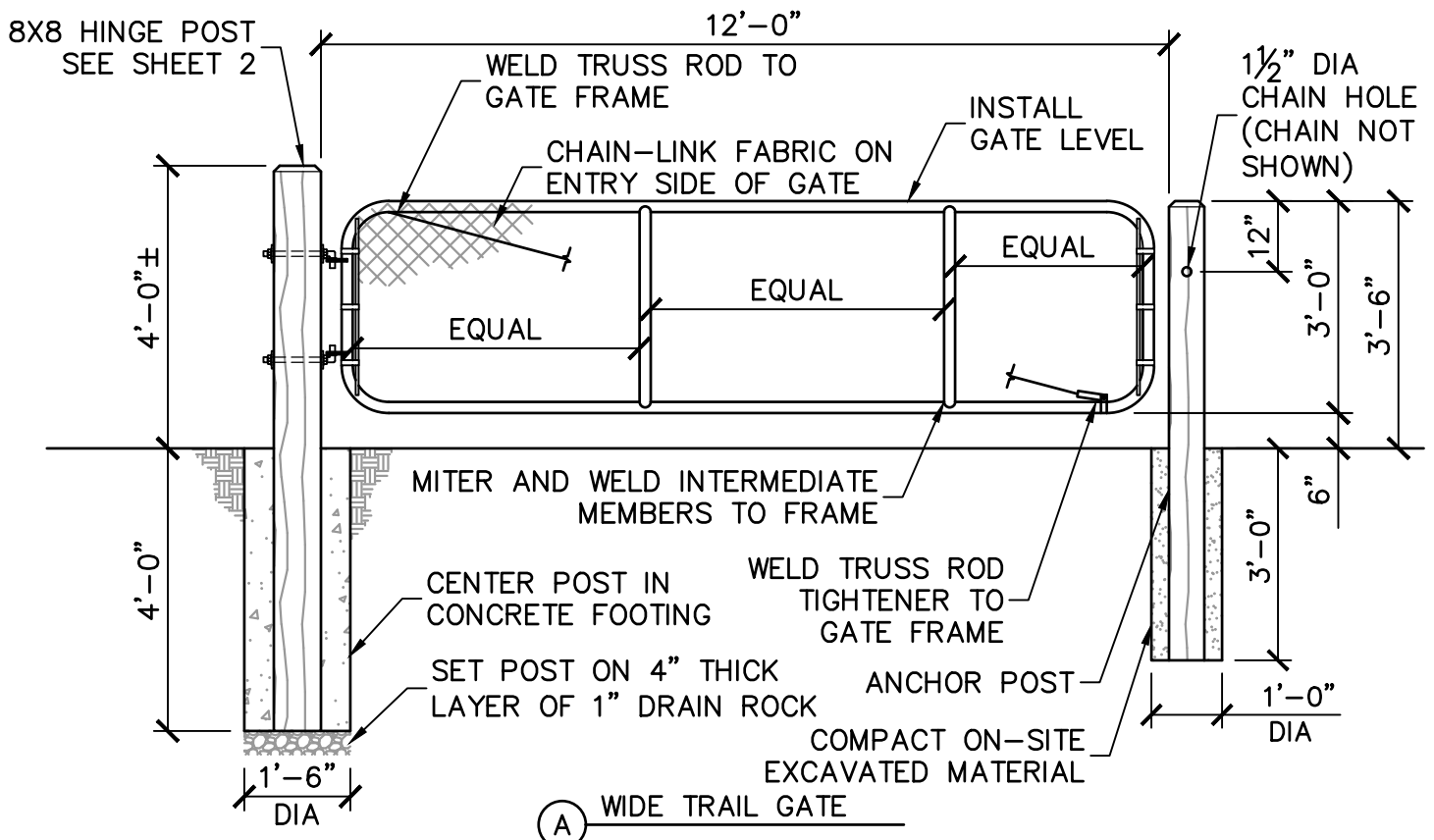


(B) STANDARD TRAIL GATE



(A) WIDE TRAIL GATE



TRAIL SERVICE GATES

REVIEWED BY THE PARK STANDARDS COMMITTEE, AND
APPROVED BY THE CHIEF OF DESIGN & CONSTRUCTION

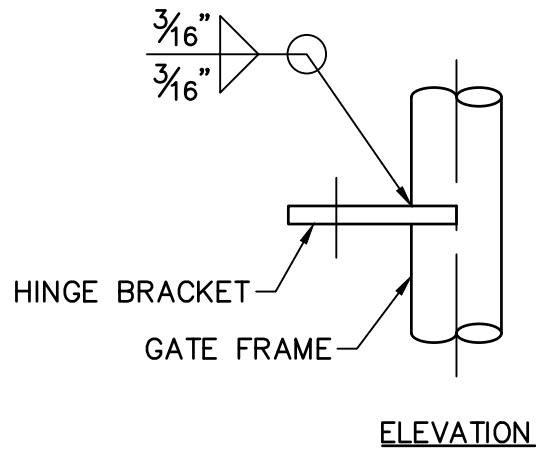
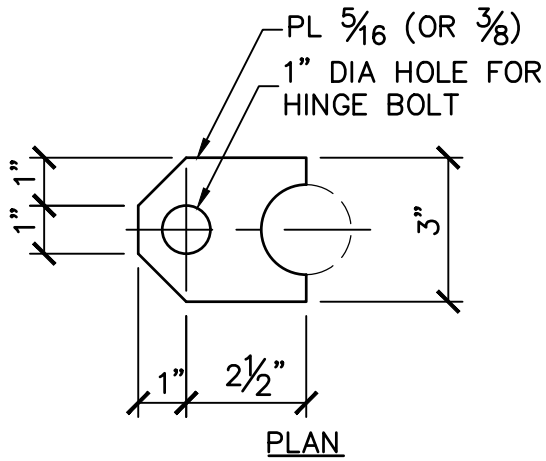
lgj

04/06/2022

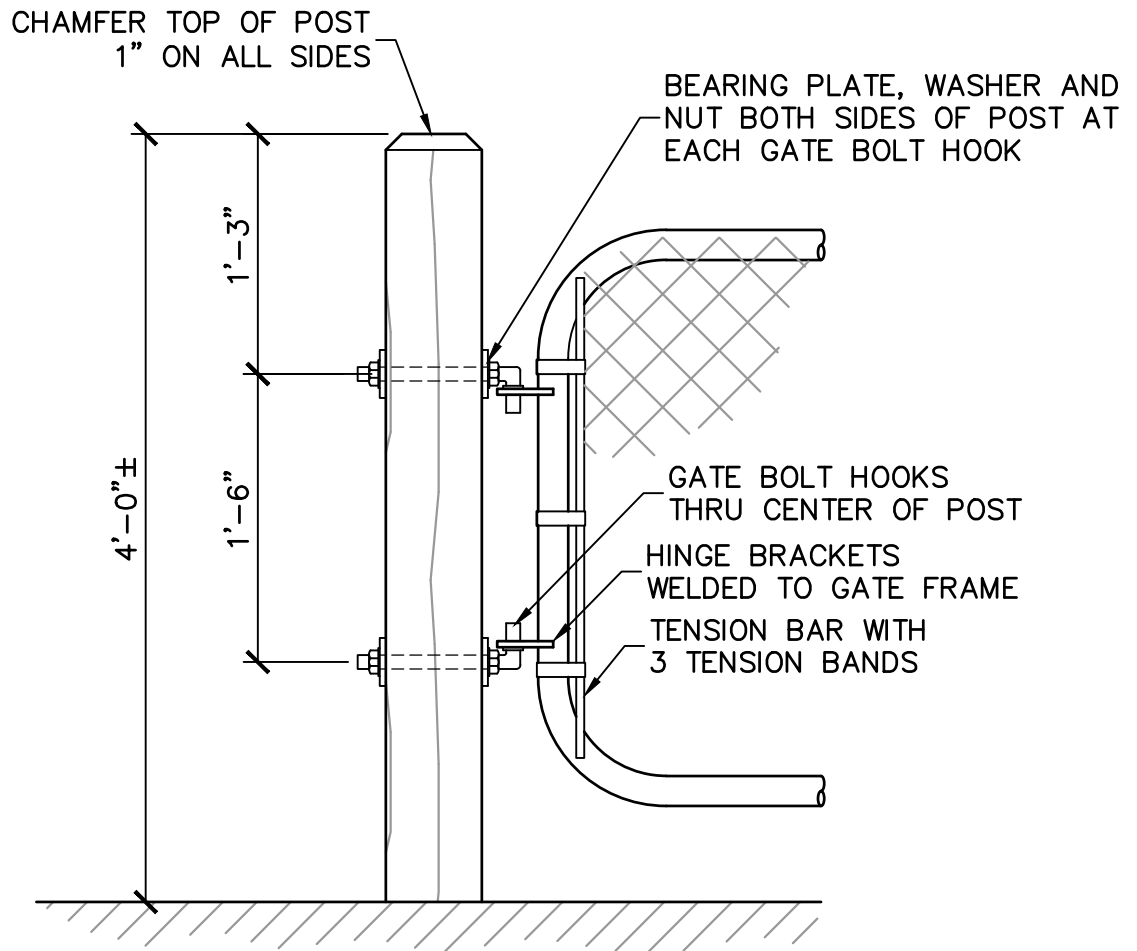
STD PLAN

211

SHEET 1 OF 5
NOT TO SCALE



(D) HINGE BRACKET



(C) HINGE POST - ELEVATION



TRAIL SERVICE GATES

REVIEWED BY THE PARK STANDARDS COMMITTEE, AND APPROVED BY THE CHIEF OF DESIGN & CONSTRUCTION

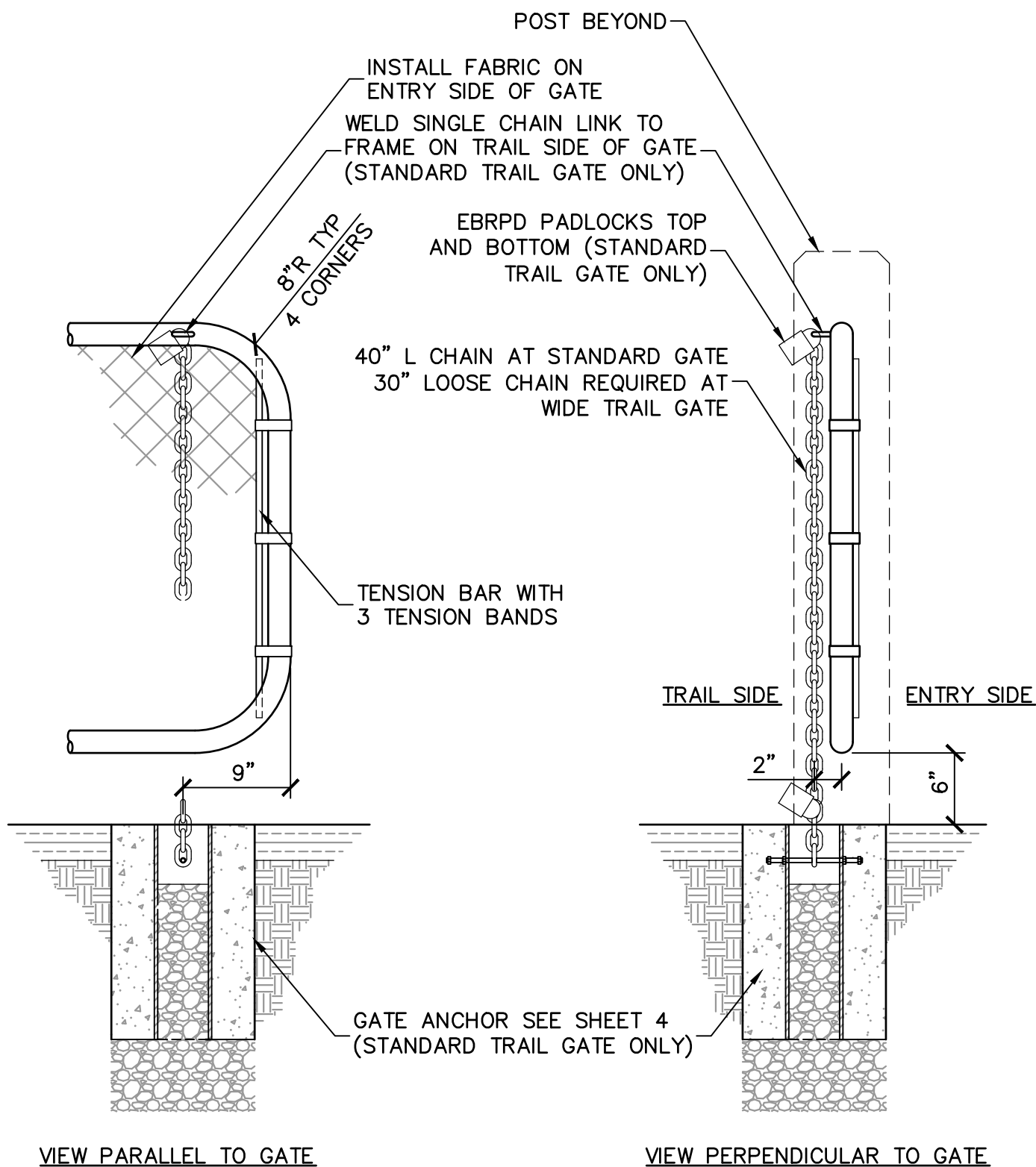
lgj

04/06/2022

STD PLAN

211

SHEET 2 OF 5
NOT TO SCALE



(E) ANCHOR END OF GATE - ELEVATIONS



TRAIL SERVICE GATES

REVIEWED BY THE PARK STANDARDS COMMITTEE, AND APPROVED BY THE CHIEF OF DESIGN & CONSTRUCTION

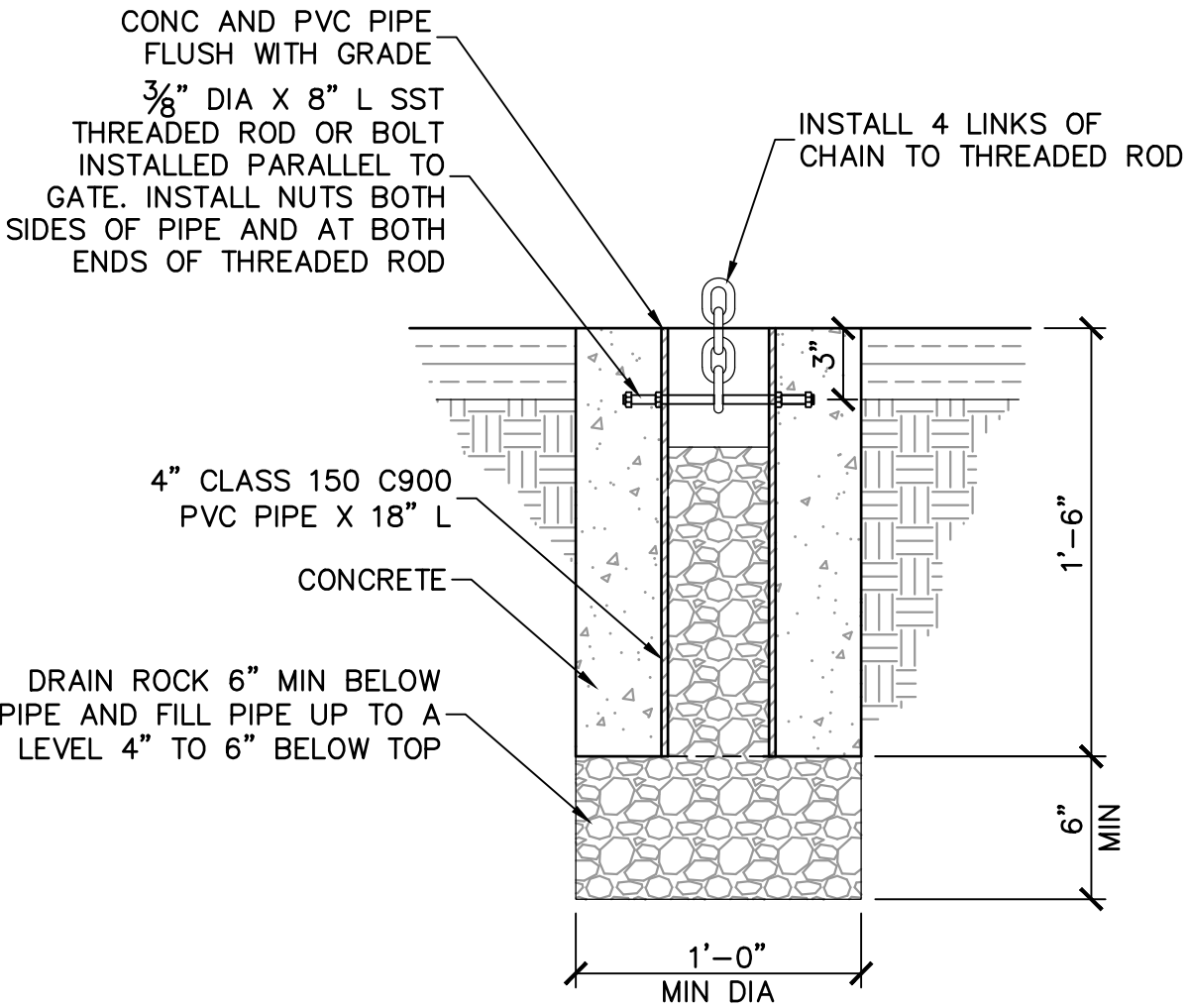
lg

04/06/2022

STD PLAN

211

SHEET **3** OF **5**
NOT TO SCALE



NOTE: GATE ANCHOR IS REQUIRED AT STANDARD TRAIL GATE ONLY. THE WIDE TRAIL GATE IS SECURED TO AN ANCHOR POST AS SHOWN ON SHEET 1.

(F) GATE ANCHOR SECTION



TRAIL SERVICE GATES

REVIEWED BY THE PARK STANDARDS COMMITTEE, AND
APPROVED BY THE CHIEF OF DESIGN & CONSTRUCTION

lgj

04/06/2022

STD PLAN

211

SHEET **4** OF **5**
NOT TO SCALE

GENERAL

1. LOCATE UNDERGROUND UTILITIES PRIOR TO DIGGING. CALL USA (UNDERGROUND SERVICE ALERT) 1-800-277-2600, MON THRU FRI 6AM TO 7PM, A MINIMUM 2 WORKING DAYS WITH A MAXIMUM 14 CALENDAR DAYS, TO OBTAIN A TICKET. CONTACT THE DISTRICT INSPECTOR OR PARK SUPERVISOR FOR DISTRICT UTILITIES NOT LOCATED BY USA.
2. THE DIMENSIONS AND DETAILS SHOWN APPLY TO TYPICAL CONDITIONS AND MAY NEED TO BE ADJUSTED TO SUIT UNUSUAL FIELD CONDITIONS, SUCH AS A LARGE TRAIL CROSS SLOPE. CONTACT THE DESIGN AND CONSTRUCTION DEPARTMENT IF THERE ARE QUESTIONS.

MATERIALS

3. CHAIN-LINK FABRIC TO BE 2" MESH, GALVANIZED NO. 11 GAUGE CHAIN-LINK FABRIC, KNUCKLED SELVAGE, TOP AND BOTTOM AND SECURED WITH 9 GAUGE GALVANIZED WIRES 12" OC MAX.
4. PIPE FRAME
 - 4.1. OUTER PIPE FRAME TO BE 2" NOMINAL LIGHT COMMERCIAL STEEL PIPE, 2" NOMINAL, 1.900" OD WITH 0.072" WALL THICKNESS.
 - 4.2. INTERMEDIATE PIPE MEMBERS TO BE 1 $\frac{3}{8}$ " NOMINAL LIGHT COMMERCIAL STEEL PIPE, 1.315" OD WITH 0.072" WALL THICKNESS.
 - 4.3. TENSION BARS $\frac{3}{16}$ " (7 GAUGE) X $\frac{5}{8}$ " MIN X 30" L GALVANIZED STEEL.
 - 4.4. TRUSS ROD TO BE $\frac{3}{8}$ " DIA GALVANIZED STEEL, FIELD ADJUSTABLE TO LEVEL GATE.
5. WOOD POSTS TO BE PRESSURE TREATED DOUGLAS FIR NO. 2. RATED FOR GROUND CONTACT (CA-B AT 0.21 PCF OR ACQ AT 0.40 PCF). FINISHED OR ROUGH DIMENSION.
6. GATE BOLT HOOKS
 - 6.1. $\frac{7}{8}$ " DIAMETER, ZINC PLATED OR GALVANIZED, FIELD CUT TO REQUIRED LENGTH, NATIONAL HARDWARE 293BC $\frac{7}{8}$ " X 12" BOLT HOOK OR EQUAL.
 - 6.2. BEARING PLATES TO BE 3" X 3" X $\frac{5}{16}$ " THICK WITH CENTER HOLE FOR GATE BOLT, HOT-DIP GALVANIZED, SIMPSON BP7/8HDG OR EQUAL.
7. CONCRETE TO BE COMMERCIAL 5-SACK PRE-MIX CONCRETE OR EQUIVALENT.
8. CHAIN TO BE GALVANIZED, HIGH-TEST (GRADE 43)

WORKMANSHIP

9. WELDING
 - 9.1. WELDERS TO BE AWS CERTIFIED AND PREQUALIFIED FOR THE WELDING TO BE PERFORMED.
 - 9.2. WELDS TO BE REASONABLY SMOOTH AND UNIFORM WITH SPATTER REMOVED.
10. TOUCH UP GALVANIZED FINISH WHERE DAMAGED BY WELDING, ETC. WITH A THICK COAT OF ZINC RICH PAINT MEETING THE REQUIREMENTS OF ASTM A780. MATCH SILVER GATE COLOR.
11. WOOD POSTS
 - 11.1. DRILL HOLES LEVEL AND STRAIGHT THROUGH CENTERLINE OF POSTS.
 - 11.2. BEFORE INSTALLATION, CUT ENDS SHALL BE SPRAYED OR COATED LIBERALLY (MINIMUM 2 FULL BRUSH COATS) WITH COPPER NAPHTHENATE SOLUTION.
 - 11.3. DRILLED HOLES SHALL BE DIPPED FOR APPROXIMATELY THREE MINUTES WHERE POSSIBLE AND, WHERE NOT POSSIBLE, SWABBED LIBERALLY SO AS TO PROVIDE EQUIVALENT TREATMENT THROUGHOUT THE LENGTH OF HOLE.
 - 11.4. AFTER INSTALLATION, ANY EXPOSED CUTS OR DRILLED HOLES SHALL BE BRUSHED OR SPRAYED LIBERALLY ONCE AGAIN.
 - 11.5. STAIN EBRPD BROWN PER PARK DISTRICT STANDARD PLAN 003.



TRAIL SERVICE GATES

REVIEWED BY THE PARK STANDARDS COMMITTEE, AND APPROVED BY THE CHIEF OF DESIGN & CONSTRUCTION

04/06/2022

EAST BAY REGIONAL PARK DISTRICT - STANDARD PLANS

STD PLAN

211

SHEET **5** OF **5**
NOT TO SCALE